



**ADVANCECASTER**  
 & WHEEL COMPANY

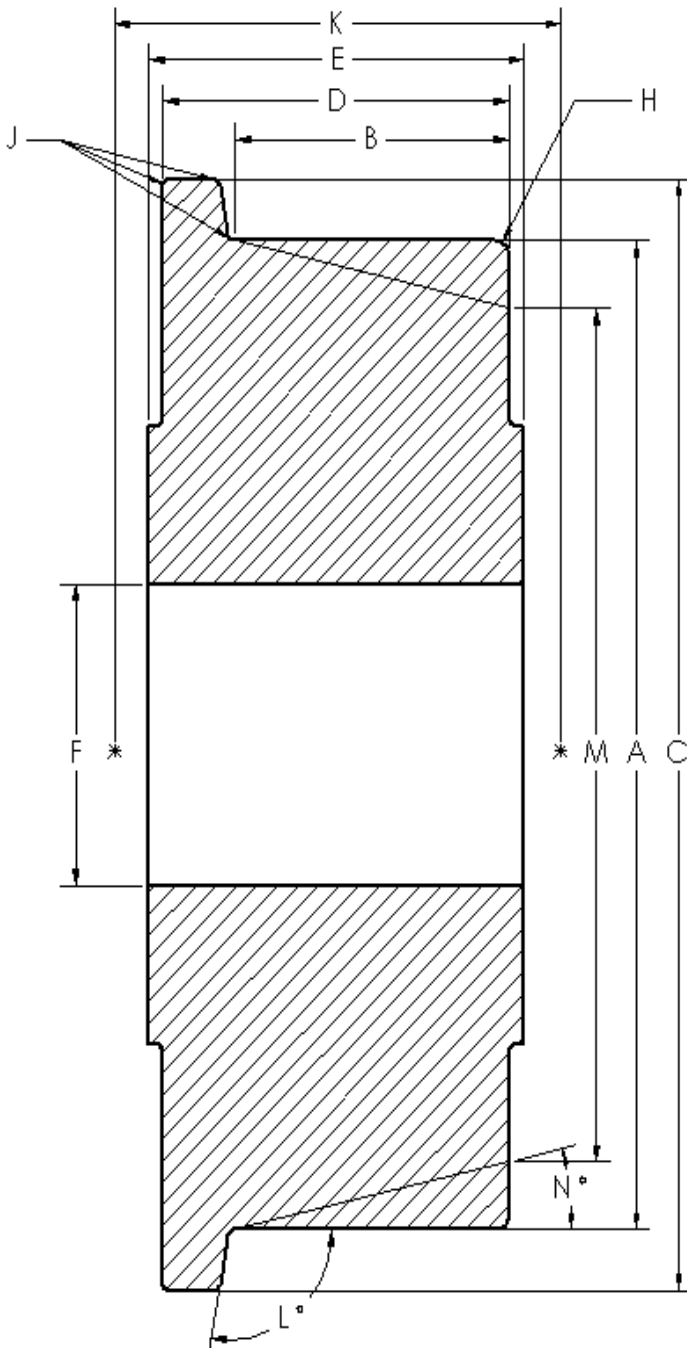
839 Butterworth Street, SW  
 Grand Rapids, MI 49504  
 P- 616-241-1036  
 F- 616-241-1036  
[sales@advancecaster.com](mailto:sales@advancecaster.com)  
[www.advancecaster.com](http://www.advancecaster.com)

Company Name: \_\_\_\_\_

Contact: \_\_\_\_\_

Phone #: \_\_\_\_\_

## SINGLE FLANGE Special Sized Wheel (work sheet)



### \*\* REQUIRED DIMENSION

A **	
B **	
C **	
D **	
E **	
F **	
H (DEFAULT R= A/16)	
J (DEFAULT R.06)	
K (OVER BEARING SPACERS)	
L (DEFAULT IS 100°)	
RUNNING SURFACE	FLAT    TAPERED #
M #	
N #	
KEYWAY	YES    NO
KEYWAY SIZE	
KEYWAY SETSCREWS	YES    NO
SETSCREW SIZE	
BEARING TYPE	ROLLER / BALL / TAPERED
BEARING SIZE	
BEARING SEALS	YES    NO
WHEEL MATERIAL	
ZERK FITTING	YES    NO
POLYURETHANE	YES    NO Durometer    Shore
CAPACITY	
TOTAL NEEDED	
NOTES:	